

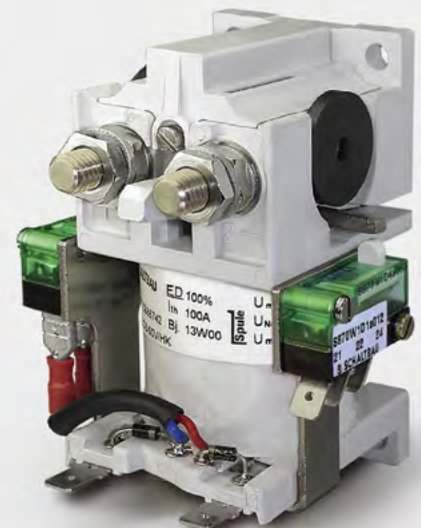
# 3

## Electrics for rolling stock

Series C163 C/ xxBD-J1

Single pole  
NO latching contactor

Catalogue B164.en



## Single pole NO latching contactor C163C/ xxBD-J1

Based on the success and high profile of our C163 Series, a new energy-saving drive concept has been realised with this NO latching contactor.

### Features:

- No coil power in open and closed position
- Conventional thermal current  $I_{th}$  up to 100 A DC
- Special designs up to 150 V DC
- Various rated coil voltages available

### Applications:

- Deep discharge protection of batteries in uninterruptible power supplies (UPS)
- Main contactor in photovoltaic systems

## Ordering code

Example: **C163 C/ 24BD-J1**

<b>Series</b>	C163	Single pole latching contactor
<b>Version</b>	C	SPST-NO
<b>Coil voltage</b>	24 / 60 / 110 V DC	
<b>Coil tolerance</b>	B	Latching contactor, +25% / -40% and +25% / -17% resp.
<b>Coil suppression</b>	D	Diode
<b>Aux. contact</b>	J1	S870 W1D4 a 063 Gold**

- Stock items:**
- C163 C/ 24BD-J1 Coil voltage 24 V
  - C163 C/ 60BD-J1 Coil voltage 60 V
  - C163 C/ 110BD-J1 Coil voltage 110 V

Specifications	
Rated insulation voltage $U_i$ at PD 3	150 V DC
Applicable standards	IEC 60077-1, EN 50124, IEC 60947-1
Conv. thermal current $I_{th}$ at 70°C ambient temperature	100 A, 5 AWG (16 mm <sup>2</sup> ) *
Maximum breaking capacity	120 V DC, L/R = 1 ms: 150 A 48 V DC, L/R = 1 ms: 800 A
Coil voltage $U_s$	24 / 60 / 110 V DC, others on request
Coil tolerance	+25% / -40% $U_s$
Coil power Open and closed position During switching, duration	None approx. 95 W for 50 ms
Coil suppression	Diode
Coil terminals	Flat tabs 6.3x0.8 to DIN46244
Main terminals	M8 screw, torque 6 Nm max.
Contact material	AgSnO <sub>2</sub>
Aux. contacts	1 changeover switch S870 **, $I_{th}=10 A$
Mechanical endurance	approx. 100,000 cycles
Mounting orientation	Any, except: do not mount upside down
Weight	0.8 kg
Ambient temperature	-25°C ... +70°C
Storage temperature	-40°C ... +85°C

\* Leads must be temperature resistant up to 120 °C.

\*\* For more information on aux. contacts, refer to our catalogue D70.

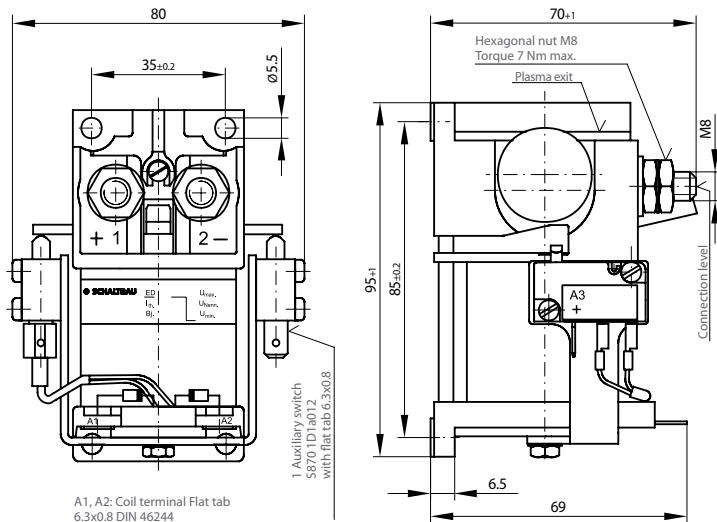
**Note:**  
Presented in this catalogue are stock items only. For some variants minimum order quantities apply. Please ask our conditions.

### Special designs

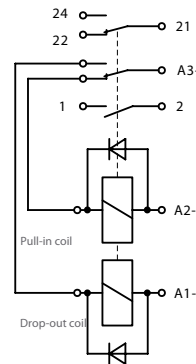
If you need a special design, do not hesitate to contact us. You might find your required contactor among our special designs. If not, we also supply designs to customer requirements. Please note that in this case minimum order quantities apply.

## Dimension and circuit diagram, mounting

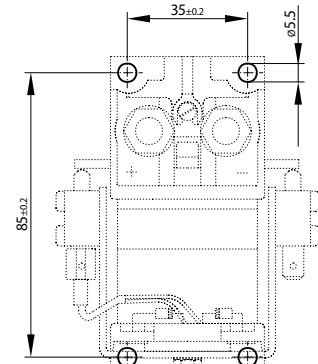
### Dimensions:



### Circuit diagram:



### Mounting:



**Note:**  
Contact making and breaking is done by energizing the respective coil at terminal A1 or A2. After approx. 100 msec the contactor is switched off automatically. It is permissible to apply the rated coil voltage permanently. Rated coil voltages  $< U_{min}$  are not permissible and will cause damage.

Dimensions in mm