

1

Connectors

HV series

High power connectors
for DC applications

Flyer A88.en



More information
schaltbau.com

HV series High power connectors for DC applications

Schaltbau's newly developed HV series connectors feature solid power and signal contacts and are suitable for a wide range of high-current applications. The robust connectors have a modular design and protection against accidental contact. They are IP69K certified and designed for a high number of mating cycles. The HV connectors are perfect for

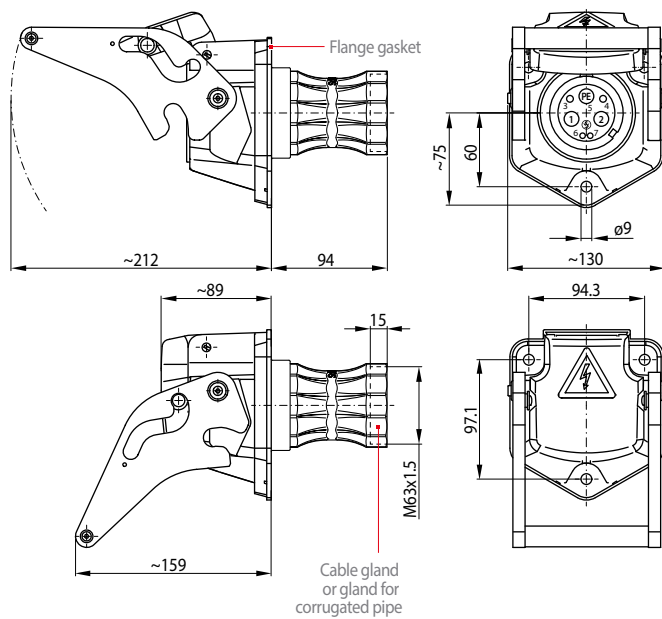
- **Wide power range:** Rated voltages up to 1,000 volts and rated currents up to 470 amps. Main contacts in the plug and socket housing safely protected against accidental contact.
- **Rugged housing:** One-handed operation – thanks to the sliding mechanism on the handle of the socket housing. This saves effort and ensures safe locking and unlocking of the plug in the socket.
- **Feedback plug inserted:** Optional switching element in the socket housing signals a correctly plugged-in connector.

high power rating. Places of application can be the energy transmission between rail cars or equally the connection of track and trailer on heavy e-vehicles. Other applications include the connection of powerful battery packs – here the HV series is used as a high-performance charging connector.

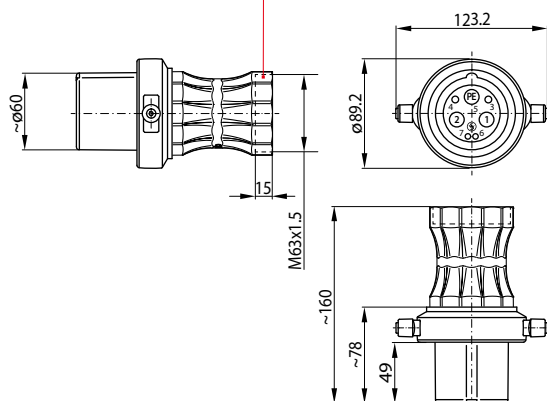
- **Modularity:** Solid power contacts for different connection cross-sections up to 95 mm² and 4 universally applicable signal contacts are available. Also configured with cable or individual conductors in a robust corrugated pipe.
- **Flammability:** Meets the requirements of UL94-V0 and the following fireprotection standards EN 45545.

Dimension diagram

• Socket



• Plug



Dimensions in mm

Specifications

HV series	Socket	Plug
Number of contacts max.	2-pole + PE + 2 + 2	
Contact arrangement	Socket contacts	Pin contacts
View direction: front view		
Contacts		
Power contacts	① + ②	
Contact ø10 mm	Cross-section	ø10 mm, 35 / 50 / 70 / 95 mm ²
Terminal type, surface		Crimp, silver
PE contact	Ⓟ	
Contact ø10 mm	Cross-section	ø10 mm, 35 / 50 mm ²
Terminal type, surface		Crimp, silver
Signal contacts	③ + ④	
Contact ø4 mm	Cross-section	ø4 mm, 0.5 / 0.75...1 / 1.5 / 2.5 / 4 / 6 / 10 mm ²
Terminal type, surface		Crimp, silver
Signal contacts	⑥ + ⑦	
Contact ø3 mm	Cross-section	ø3 mm, 0.5 / 0.75...1 / 1.5 / 2.5 mm ²
Terminal type, surface		Crimp, silver (gold optional)
Mating sequence	Ⓟ > ① + ② > ③ + ④ > ⑥ + ⑦	
Rated voltage U_e		
Power contacts	① + ②	1,000 V DC
Signal contacts	③ + ④ / ⑥ + ⑦	60 V DC
Pollution degree		PD2
Overtoltage category		OV2
Rated current I_e		
Power contacts	① + ②	470 A max. @ 95 mm ²
Signal contacts	③ + ④ / ⑥ + ⑦	30 A max. @ 10 mm ² / 5 A max. @ 1.5 mm ²
Switching element	1x in socket shell, S870 series, SPDT, 10 A (see catalogue D70.en)	
Housing material		
Socket shell	Aluminium die-cast, black	
Plug shell	Polyamid PA 6.6, black	
Inserts	Polyamide PA 6.6, black	
Seals	Silicone	
Degree of protection	IEC 60529	IP69K: When mated, socket with closed lid, plug in dummy socket
Mechanical endurance	> 10,000 mating cycles	
Operating temperature range	-40° C ... +85° C	